



Installation Guide

For Clamp Flanges



DOCUMENT ID: 3058

REVISION: 3

DATE: 2025

LANGUAGE: EN

MI

It is essential to follow all instructions within this document to avoid potential personal injury, death, or damage to existing products in the vessel, the vessel's hull integrity, and including this product during installation or operation. Failure to follow instructions within this document will render all warranties given by Sleipner Motor as VOID.

Warnings and situations requiring extra caution are outlined in the documentation. Take extra consideration when warnings are outlined.

WARNING
Indicate a potentially hazardous situation that, if not avoided, could result in death or severe injury.

CAUTION
Indicates a potentially hazardous situation that could result in minor or moderate injury or critical damage to vessel integrity if not avoided.

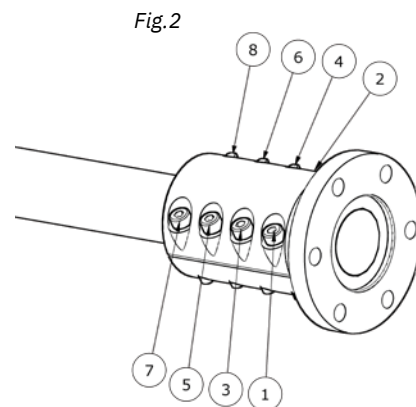
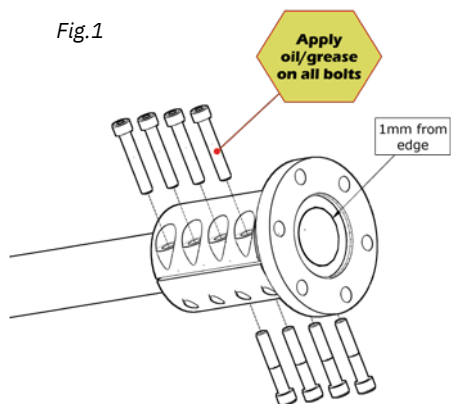
Responsibility of the installer

General:

- The installer must read this document to ensure necessary familiarity with the product before installation.
- Directions outlined in this document cannot be guaranteed to comply with all international and national regulations, including but not limited to health and safety procedures. It is the installers responsibility to adhere to all applicable international and national regulations when installing Sleipner products.
- This document contains general installation guidelines intended to support experienced installers. Contact professional installers familiar with the vessel, Sleipner products and applicable regulations if assistance is required.
- If local regulation requires any electrical work to be performed by a licensed professional, seek a licensed professional.
- When planning the installation of Sleipner products, ensure easy access to the products for future service and inspection requirements.

Mounting The Clamp Flange To The Shaft

1. Ensure clamp flange is correct according to efficacy and shaft.
2. Clean clamp and shaft, and remove if there are any burrs.
3. Carefully expand the flange slot with a wedge or similar. **(NB: Do not damage the flange or shaft.)**
4. Run the shaft to the inner position where the shaft is 1mm from the clamp flange front edge. Fig.1
5. Remove wedge.
6. Apply oil/grease on all bolts. Fig.1
7. Tighten all bolts until you feel resistance.
8. Torque the bolts to 20Nm as shown in the pattern below. Fig.2
9. Torque the bolts in 3 sequences as shown in the pattern below, and in accordance with table. Fig.2



	M10	M12	M16
1	40 Nm	70 Nm	150 Nm
2	60 Nm	100 Nm	220 Nm
3	75 Nm	130 Nm	330 Nm

Mounting The Clamp Flange To The Gear

1. Ensure that the engine is geared/positioned in order to standard.
2. Apply oil/grease on all bolts.
3. Tighten all bolts until you feel resistance.
4. Torque the bolts to 20Nm in a cross pattern as shown below. Fig.4
5. Torque the bolts in a cross pattern according to table below. Fig.4

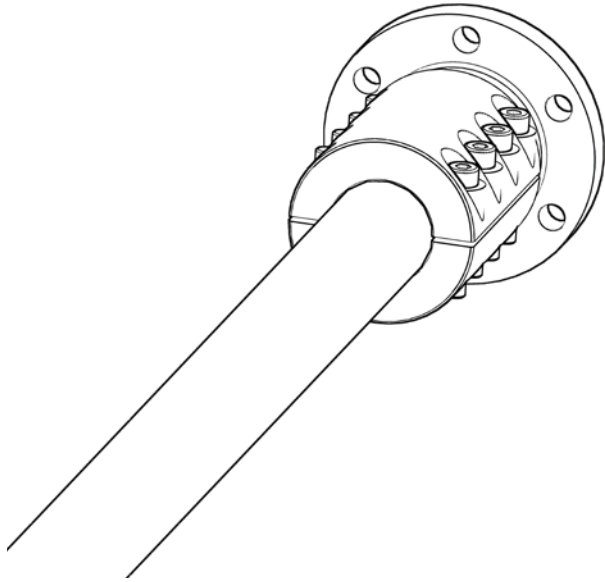
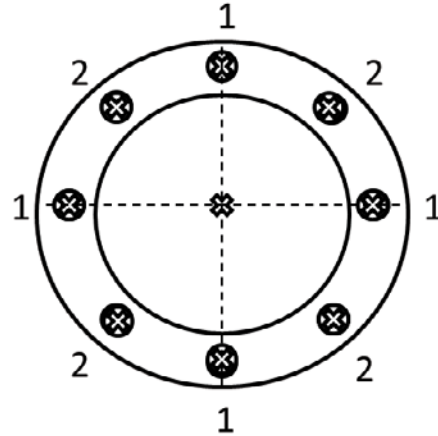


Fig.4



M10	M12	M12	7/16"
45 Nm	70 Nm	180 Nm	65 Nm

Sleipner Group Waste Disposal and Recycling Guide

MC_0848

Introduction:

At Sleipner Group, we prioritize sustainability and encourage the repair and re-manufacturing of products to extend their life cycles. If disposal is necessary, please follow these guidelines to recycle and manage waste responsibly, ensuring our efforts align with environmental protection efforts.

Electric Motors and Electronics:

- Disconnect from any power sources and dismantle them carefully.
- Recycle components through certified e-waste recycling centers that can adequately handle and recover electronic materials.
- Dispose of any non-recyclable electronic parts according to local environmental regulations.

Metals:

- Collect and sort metal parts for recycling as scrap metal.
- To increase recycling efficiency, ensure that metals are clean and free from non-metal attachments.

Plastics:

- Identify recyclable plastics based on local recycling guidelines.
- Remove any non-plastic components and clean them before recycling to improve the quality of the recycled material.

Hazardous Materials:

- Correctly identify any hazardous substances within components, such as batteries or capacitors etc.
- Follow local regulations for the safe disposal of hazardous materials to prevent pollution and protect environmental health.

General Disposal Instructions:

- Consult local recycling programs to determine the acceptability of various materials.
- Use authorized disposal services to ensure compliance with environmental standards.

Safe Disposal Practices:

- Adhere to local laws and regulations for waste management to minimize environmental impact and ensure community safety.

This guide is designed to help reduce our products' environmental footprint through responsible end-of-life management. Please contact your local waste management supplier or our support team for more specific disposal information or further assistance.

© **Sleipner Motor AS**, All rights reserved

The information given in the document was right at the time it was published. However, Sleipner Motor AS cannot accept liability for any inaccuracies or omissions it may contain. Continuous product improvement may change the product specifications without notice. Therefore, Sleipner Motor AS cannot accept liability for any possible differences between product and document.

Learn more about our products at
www.sleipnergroun.com



SLEIPNER MOTOR AS

P.O. Box 519

N-1612 Fredrikstad

Norway

www.sleipnergroun.com

Made in Norway