



Service and Support

Advanced Modification Guide

KIT 8 1998 & KIT 8 1999

SLEIPNER AS
P.O. Box 519
N-1612 Fredrikstad
Norway
www.sleipnergroun.com

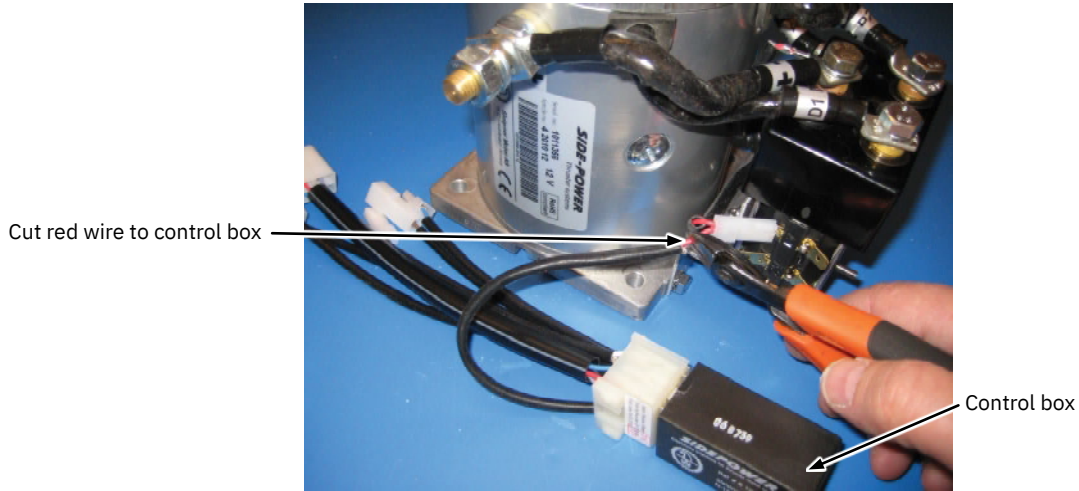
DOCUMENT ID: 394I
REVISION: 2
DATE: 2022
LANGUAGE: EN

SS

(Control box fitted on motors from 1999 onwards).

We require part of the existing loom as part of the modification. Cut the red wire (as shown in the illustration) so the connections to the 2 positive motor solenoid coil splay terminals and main positive terminal remains.

On removal of the existing motorloom, there may be one or two wires protruding the motor. These become redundant when modifying to a proportional system. Ensure that they are isolated from the motor housing or other electrical components.

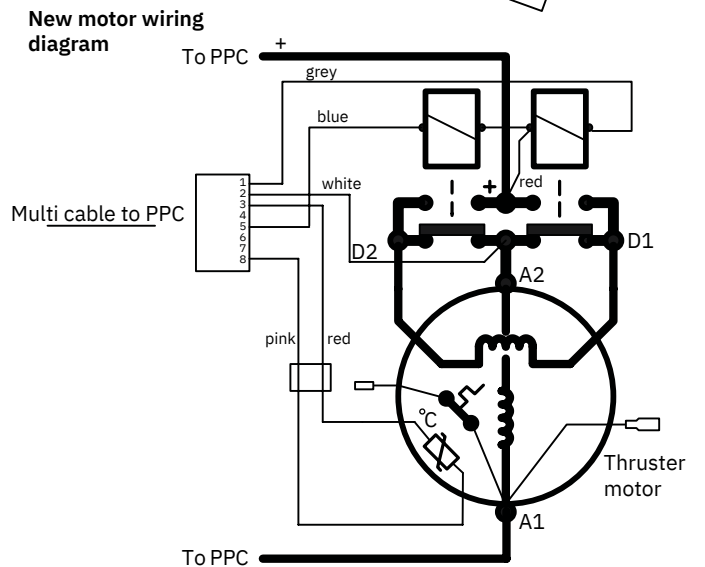
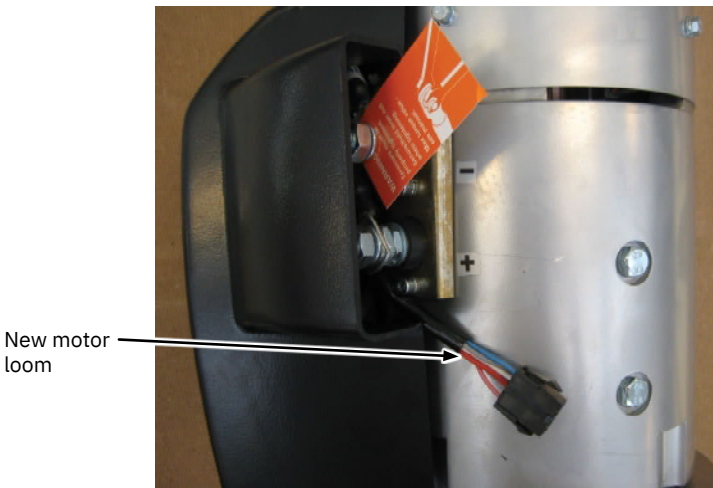
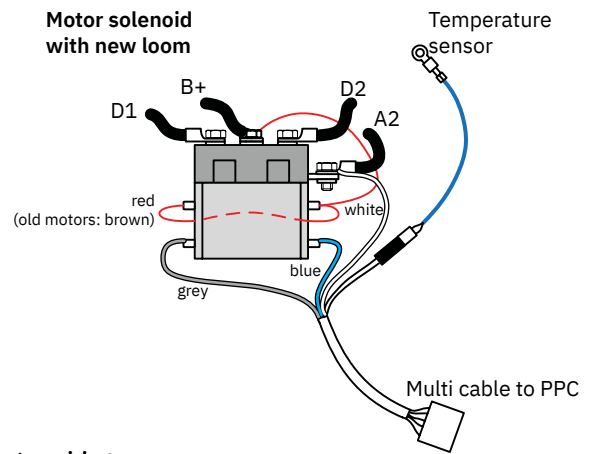
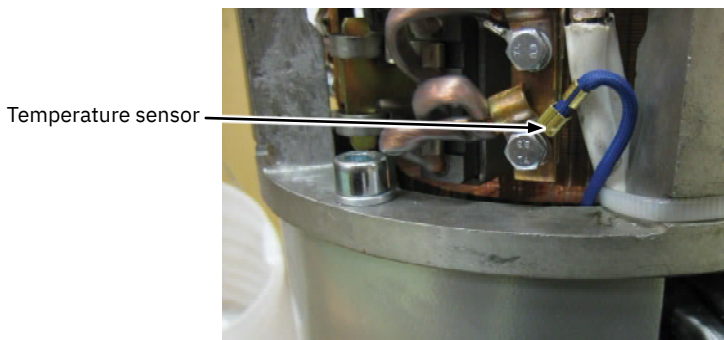


Installing the New Motor Loom

When installing the temperature sensor to the motor brush holder, care must be taken to avoid contact with the motor housing.

Connect grey and blue wires to the motor solenoid coils in the same position as the previous loom.

Connect white to the A2 terminal.



© **Sleipner Group**, All rights reserved
The information given in the document
was right at the time it was published.
However, Sleipner Group cannot
accept liability for any inaccuracies or
omissions it may contain. Continuous
product improvement may change the
product specifications without notice.
Therefore, Sleipner Group cannot accept
liability for any possible differences
between product and document.

**Register your product and learn more
at www.sleipnergroun.com**



SLEIPNER GROUP

P.O. Box 519

N-1612 Fredrikstad

Norway

www.sleipnergroun.com

Made in Norway

